

INDUSTRY.2-030-124



Application

- ☑ Loading / unloading ramps
- ☑ Industrial estates & warehouses
- ☑ Tunnels
- ☑ Railway platforms
- ☑ Yards & parks
- ☑ Parking lots & petrol stations

Key Features

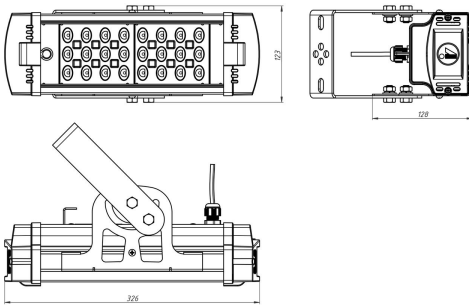
Weather-resistant powder-coated aluminum housing
High-efficacy white LEDs from Osram
Double protection of LEDs for continuous operability

No loss in lumen output due to water and dust proof LED modules

Integrated surge protection up to 10kV (optional)
Input voltage up to 305V

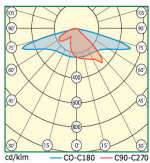
No specific requirements for disposal
No light flicker harmful for eyes

Product details

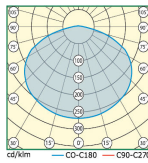


Wattage, W	30
Replacement wattage	80W mercury floor. 70W mercury MH
Voltage, VAC / Frequency, Hz	230 / 50
Power factor	0.95
Luminous flux, lm: 4,700 - 6,500 K	3,300
3,500 – 4,600 K	2,950
Efficacy, lm/W	100-110
CRI, Ra	70, 80, 90
Number of LEDs, pcs	24 x 1.2W
Ingress protection rating, IP	65
Operating temp. range, °C	-45 to +50
Lifetime of a luminaire, hours	>50,000
Electrical safety classification	II
Wire section, mm ²	3 x 0.75
Weight, net / gross, kg	2.4 / 2.6
Dimensions, L x W x H, mm	326 x 123 x 128

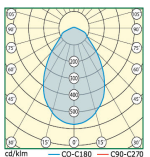
Wide



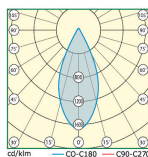
Cosine



Deep



Focused



Customization

- Wattage
- Beam angle
- Housing colour